

Teknox

METAL CLEANING
EVOLUTION



ENGLISH 

HIGH
QUALITY
guaranteed

HELP
DESK


MADE
IN ITALY

SINCE
1967

SIMPLEX LINE



THE NEW TEKNOX APP

This application wants to be an additional tool that Teknox puts in place to improve and speed up the services and communication with its customers and the sales department.

Thanks to the application are available different services, such as: the form for the request of spare parts, the form for the data collection for new projects, the complete interactive catalogue with images, videos, technical data and much more.

Teknox

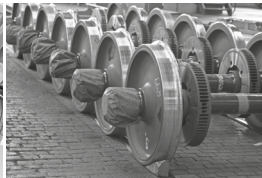
The company, born as SME in 1967, has become over the years the reference point in the field of piece washing.

Today the production includes:

- EQUIPMENT FOR WASHING PARTS IN THE MAINTENANCE DEPARTMENTS
- PLANTS FOR THE SURFACE TREATMENT OF PARTS IN PRODUCTION CYCLE



Car and motorcycle maintenance



Railway



Regeneration



Chemical industry and colour industry



Aerospace



Shipbuilding industry



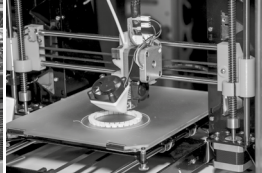
Petrochemistry



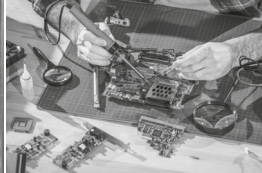
Composite materials



Printing industry



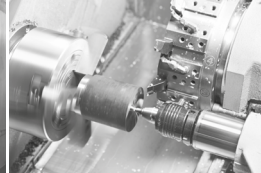
3D printing



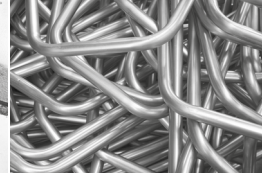
Electronics industry



Prepainting



CNC machining



Tube processing



Sheet metal stamping



Automatic lines



More than **50** years of experience

6000 sqm of plant

More than **10.000** machines produced

80+ Countries we export to

More than **40** employees

SIMPLEX SMALL

SIMPLEX PERFORMS THE SUCCESSFUL **AUTOMATIC WASHING** OF MEDIUM AND LARGE SIZE MECHANICAL PARTS.

Washing is carried out by the action of upper, lower and side nozzles. The slow rotation of the platform is ensured by a gear motor with a torque limiter. A PLC management enables numberless customisations thanks to a wide range of accessories.



SIMPLEX 80



SPRAY WASHING



MOTORIZED ROTATION ON VERTICAL AXIS



VERSION

- LT (heating up to 60° C)
- HT (heating up to 80° C)



CONTROL

- PLC with colour touchscreen
- Option Industry 4.0



NUMBER OF TANKS

- Single tank



AREAS OF APPLICATION

- Maintenance
- Mechanical industry

SIMPLEX SMALL

60
80

TECHNICAL FEATURES

- Basket in drawn sheet metal with external border in Aisi 304 stainless steel
- Reinforced basket in electrically welded mesh with external border in galvanized steel
- Hatch closure assisted with gas springs and fastening hook
- Siemens® electric power parts
- 4" color touchscreen display for settings and programs
- Aisi 304 stainless steel filter in pump intake
- Tank border gasket
- Structure and sheet metal in contact with liquid in Aisi 304 stainless steel
- Minimum level switch
- Safety limit switch on cover opening

- Stainless steel electric pump with special seals
- Weekly programming to start heating and deoiler (if installed)
- IP65 electrical system, management via PLC touchscreen (DGT V4)
- Heating of the liquid with stainless steel electric heating element
- Mechanical rotation of basket via gearmotor
- Internal welding bleaching
- Intake and delivery pump hose (easy maintenance)
- Aisi 304 stainless steel washing pipelines with professional stainless steel flat nozzles
- Drain valves for emptying tanks
- Manual water filling valve

HT VERSION

- Electric vapour extraction
- Heat insulation with Aisi 430 stainless steel panels
- Safety limit switch with cover opening lock during cycles
- Panels under basket with grease and solids collection sump filters

AUTOMATIC WASHING

TECHNICAL DATA	S 60	S 80
Load capacity	100 kg	100 kg
Tank 1 capacity	60 lt	130 lt
Pump 1	0,55 kw 2,5 bar 120 lt/min	0,55 kw 2,5 bar 120 lt/min
High pressure pump 1	2,2 kW 6 bar 180 lt/min	2,2 kW 5 bar 180 lt/min
Heating tank 1	4 kW	4 kW
Motor for parts rotation	0,09 kW	0,09 kW
Steam exhauster	0,09 kW 70 Nmc/h	0,09 kW 70 Nmc/h
Disk oil separator	0,09 kW	0,09 kW
Compressed air blowing	95 Nmc/h @ 4 bar	105 Nmc/h @ 4 bar
Tank emptying pump	0,37 kW	0,37 kW
Drying	---	4,5 kW
Power supply	Three-phase	Three-phase



ACCESSORIES

- Maximum liquid level control in tank 1 and filling solenoid valve
- Compressed air blowing [B]
- Hot air drying with resistor and air blade side channel blower [B]
- Electric timed steam extraction [A]
- Basket in stainless steel Aisi 304
- Centrifugal steam condenser S mobile version [D]
- Automatic liquid detergent dispenser, installed in bath 1
- Disc oil separator integrated into basket rotation
- Bag filter in stainless steel, installed in the bath 1
- Magnetic spark plug for bag filter for ferrite powder
- Device for remote connection and remote support for HMI Weintek
- Kit for Industry 4.0 for HMI Weintek
- Kit for use with abrasive contaminants in the washing liquid
- Stainless steel fittings and valves kit (for parts that are in contact with liquids)
- PLC Siemens® S7 1200 - HMI touchscreen Weintek
- High pressure washing pump

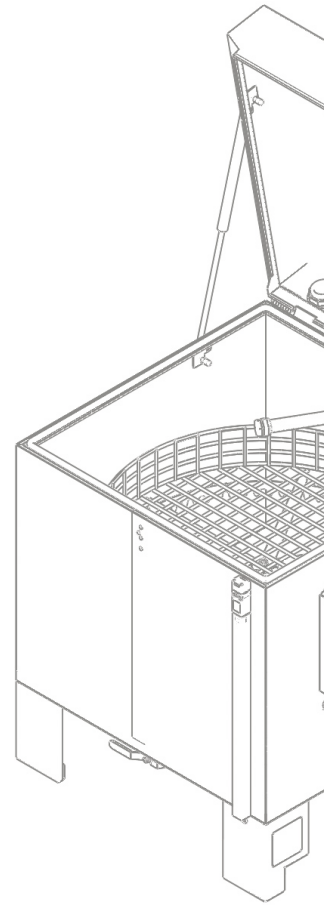
- Panels under the basket with cap filter for collecting grease and chips
- Stainless steel Aisi 304 retention tank with drip-catcher
- Upper ramp fastened to the cover
- Nebulized rinse from water mains, draining into the washing tank
- Machine equipped with wheels for handling
- Emptying pump
- Signal tower for indicating system status
- Pipes with blade-nozzle in stainless steel 1/8"

ACCESSORIES NOTES LEGEND

A: vapour extraction is included in the HT version

B: panels under the basket are mandatory (if in the price list for that model)

D: vapour extraction is mandatory (if in the price list for that model)



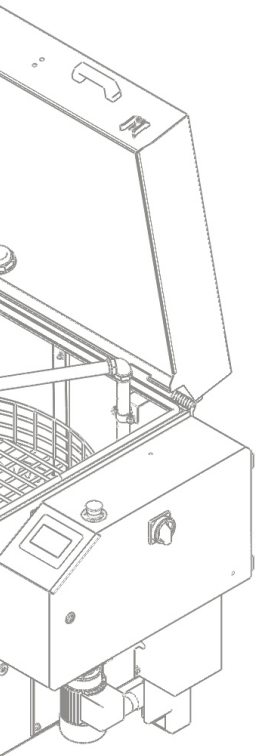
CONNECTIONS

S 60

S 80

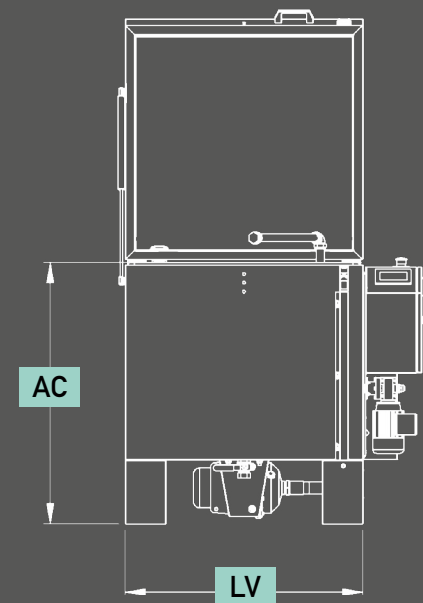
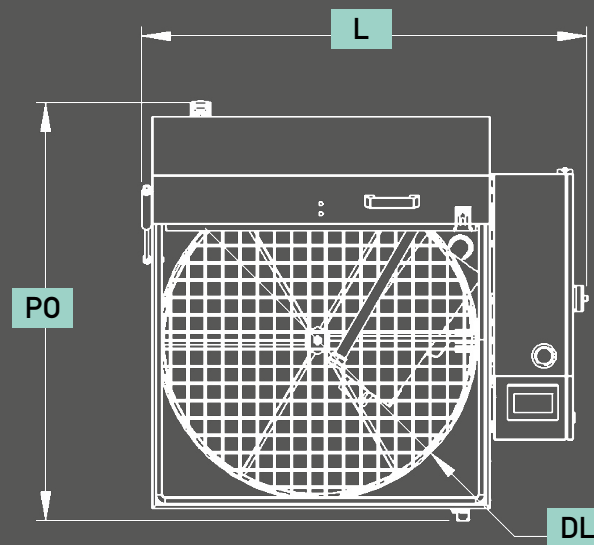
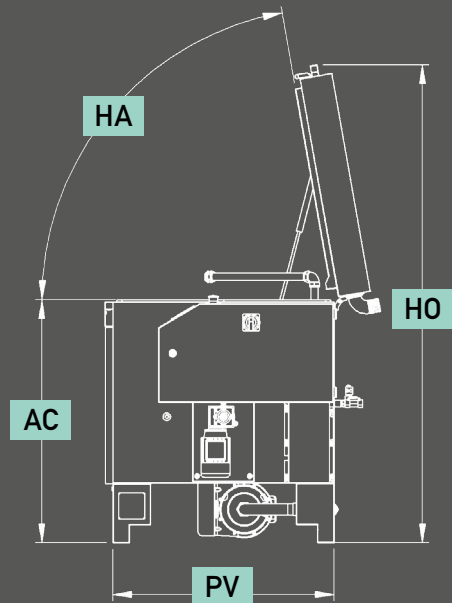
Steam extraction	Ø50 mm	Ø50 mm
Tank liquid drain	F 1"	F 1"
Water filling solenoid valve	F 1/2"	F 1/2"
Deoiling oil drain	M 1/2"	M 1/2"
Compressed air intake	F 1/4"	F 1/4"
Compressed air blower solenoid valve	F 1"	F 1"
Emptying pump	F 1"	F 1"
Cabin vent outlet	Ø50 mm	Ø50 mm

SIMPLEX SMALL



DIMENSIONS AND LAYOUT		S 60	S 80
L	width	92 cm	112 cm
PO	depth with opened machine	86 cm	105 cm
HO	height with opened machine	153 cm	185 cm
DL	working diameter	58 cm	78 cm
HL	washing height	38 cm	43 cm
AC	loading height	83 cm	92 cm
LV	tank width	64 cm	84 cm
PV	tank depth	64 cm	84 cm
HA	opening angle	80°	80°
W	weight	85 Kg	98 Kg
RU	noise LT	75 dBa	75 dBa
RU_HT	noise HT	70 dBa	70 dBa

DIMENSIONS AND LAYOUT



SIMPLEX MEDIUM

SIMPLEX PERFORMS THE SUCCESSFUL
AUTOMATIC WASHING
OF MEDIUM AND LARGE SIZE
MECHANICAL PARTS.

Washing is carried out by the action of upper, lower and side nozzles. The slow rotation of the platform is ensured by a gear motor with a torque limiter. A PLC management enables numberless customisations thanks to a wide range of accessories.



**SPRAY
WASHING**



**MOTORIZED
ROTATION ON
VERTICAL AXIS**



SIMPLEX 100



VERSION

- LT (heating up to 60° C)
- HT (heating up to 80° C)



CONTROL

- PLC with colour touchscreen
- Option Industry 4.0



NUMBER OF TANKS

- Single tank



AREAS OF APPLICATION

- Maintenance
- Mechanical industry

SIMPLEX MEDIUM

100
120

TECHNICAL FEATURES

- Timed electric exhaustion of steam
- Reinforced basket in electrically welded mesh with external border in galvanized steel
- Hatch closure assisted with gas springs and fastening hook
- Siemens® electric power parts
- 4" color touchscreen display for settings and programs
- Aisi 304 stainless steel filter in pump intake
- Tank border gasket
- Structure and sheet metal in contact with liquid in Aisi 304 stainless steel
- Minimum level switch
- Safety limit switch on cover opening

- Stainless steel electric pump with special seals
- Weekly programming to start heating and deoiler (if installed)
- IP65 electrical system, management via PLC touchscreen (DGT V4)
- Heating of the liquid with stainless steel electric heating element
- Mechanical rotation of basket via gearmotor
- Internal welding bleaching
- Aisi 304 stainless steel washing pipelines with professional stainless steel flat nozzles
- Drain valves for emptying tanks
- Manual water filling valve

HT VERSION

- Heat insulation with Aisi 430 stainless steel panels
- Safety limit switch with cover opening lock during cycles
- Panels under basket with grease and solids collection sump filters

AUTOMATIC WASHING

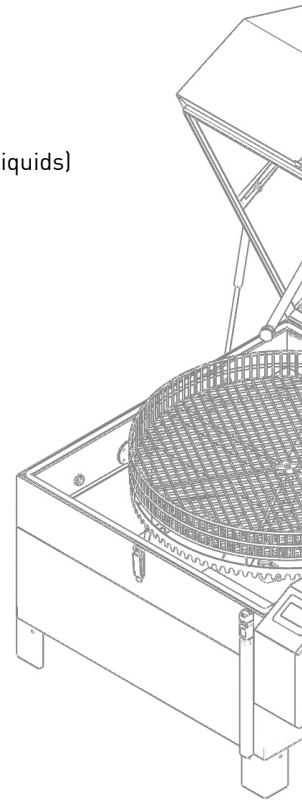
TECHNICAL DATA	S 100	S 120
Load capacity	200 kg	300 kg
Tank 1 capacity	210 lt	270 lt
Pump 1	1,5 kW 2,5 bar 200 lt/min	1,5 kW 2,5 bar 200 lt/min
High pressure pump 1	3,0 kW 6 bar 250 lt/min	3,0 kW 6 bar 250 lt/min
Heating tank 1	6 kW	8 kW
Motor for parts rotation	0,09 kW	0,09 kW
Steam exhauster	0,25 kw 320 Nmc/h	0,25 kw 320 Nmc/h
Disk oil separator	0,09 kW	0,09 kW
Compressed air blowing	130 Nmc/h @ 4 bar	150 Nmc/h @ 4 bar
Tank emptying pump	0,37 kW	0,37 kW
Drying	4,5 kW	4,5 kW
Power supply	Three-phase	Three-phase



ACCESSORIES

- Maximum liquid level control in tank 1 and filling solenoid valve
- Compressed air blowing [B]
- Hot air drying with resistor and air blade side channel blower [B]
- Pneumatic cover opening and closing with two-hand safety control unit
- Basket in stainless steel Aisi 304
- Centrifugal steam condenser S mobile version
- Two-hands control for basket rotation with opened lid
- Stainless steel Aisi 304 external trolley with drops-catcher, wheels and safety brakes [C]
- Additional basket/platform in stainless steel
- Stainless steel Aisi 304 additional external trolley
- Automatic liquid detergent dispenser, installed in bath 1
- Disc oil separator with dedicated motorization
- External pneumatic oil separator
- Bag filter in stainless steel, installed in the bath 1
- Magnetic spark plug for bag filter for ferrite powder
- Device for remote connection and remote support for HMI Weintek
- Kit for Industry 4.0 for HMI Weintek
- Manual washing and blowing with hoses and washing nozzle

- 80 bar manual washing and blowing with hoses and washing nozzle (both for LT or for HT available)
- Kit for use with abrasive contaminants in the washing liquid
- Stainless steel fittings and valves kit (for parts that are in contact with liquids)
- PLC Siemens® S7 1200 - HMI touchscreen Weintek
- High pressure washing pump
- Panels under the basket with cap filter for collecting grease and chips
- Stainless steel Aisi 304 retention tank with drip-catcher
- Upper ramp fastened to the cover
- Nebulized rinse from water mains, draining into the washing tank
- Machine equipped with wheels for handling
- Emptying pump
- Signal tower for indicating system status
- Pipes with blade-nozzle in stainless steel 1/8"

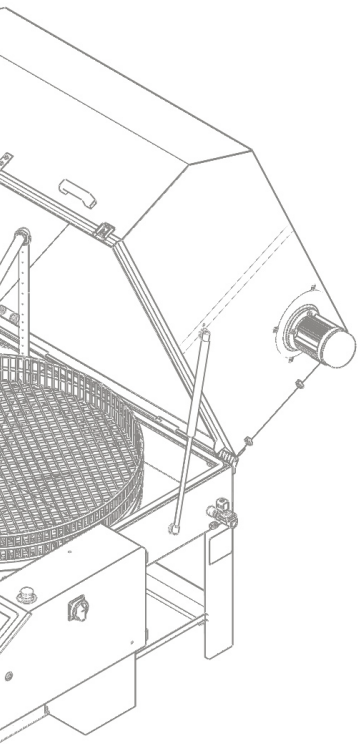


ACCESSORIES NOTES LEGEND

- B: panels under the basket are mandatory (if in the price list for that model)
 C: the useful washing height is reduced by 130 mm

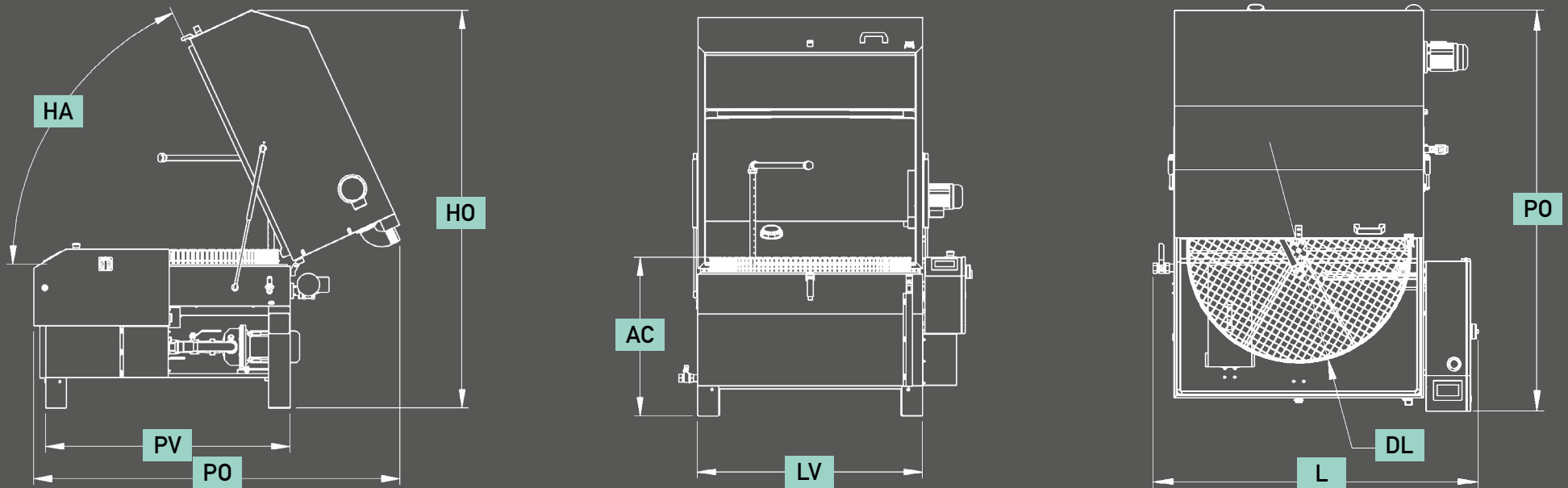
CONNECTIONS	S 100	S 120
Steam extraction	Ø80 mm	Ø80 mm
Tank liquid drain	F 1"	F 1"
Water filling solenoid valve	F 1/2"	F 1/2"
Deoiling oil drain	M 1/2"	M 1/2"
Compressed air intake	F 1/4"	F 1/4"
Compressed air blower solenoid valve	F 1"	F 1"
Emptying pump	F 1"	F 1"
Cabin vent outlet	Ø75 mm	Ø75 mm

SIMPLEX MEDIUM



DIMENSIONS AND LAYOUT		S 100	S 120
L	width	146 cm	166 cm
PO	depth with opened machine	175 cm	210 cm
HO	height with opened machine	191 cm	211 cm
DL	working diameter	97 cm	117 cm
HL	washing height	54 cm	70 cm
AC	loading height	67 cm	67 cm
LV	tank width	110 cm	130 cm
PV	tank depth	120 cm	135 cm
HA	opening angle	60 °	60 °
W	weight	155 Kg	225 Kg
RU	noise LT	75 dBa	75 dBa
RU_HT	noise HT	70 dBa	70 dBa

DIMENSIONS AND LAYOUT



Our catalogue
SIMPLEX LINE



SCAN THE QR-CODE
download our catalogue SIMPLEX LINE

ADDRESS

Via Mori, 6
40054 Prunaro di Budrio
Bologna - Italy

PHONE

+ 39 051 800862

FAX

+ 39 051 803769

EMAIL

info@teknox.net

www.teknox.net



TEKNOX ITALY

THIS CATALOGUE REPLACES ANY PREVIOUS PUBLICATION.
THE DATA PROVIDED ARE INDICATIVE AND WE RESERVE THE RIGHT TO CHANGE THEM WITHOUT NOTICE.

Copyright © 2020 TEKNOX s.r.l.